



ELECTRONIC PRECISION METERING™

P300 Pump Series

Pump Specifications

Hydraulic Configuration	Triplex
Flow Control	Electronic variable speed drive
Steady State Accuracy	± 1.0%
Max Discharge Pressure	
Metallic Head:	2500 PSI (173 bar)
Max Inlet Pressure	500 PSI (35 bar)
Max Temperature	250°F (121°C)
Inlet Port	1/2 inch NPT, BSPT
Discharge Port	1/2 inch NPT, BSPT
Weight (less motor)	51 lbs (23.1 kg)



Maximum Capacity (Gallons per Hour)

Motor RPM	Gear Ratio	Pump RPM	Metallic Head Only			
			100 PSI (7 bar)	500 PSI (35 bar)	1500 PSI (104 bar)	2500 PSI (173 bar)
1800	100:1	18	2.00	1.85	1.50	1.15
	80:1	22.5	2.40	2.20	1.75	1.35
	60:1	30	3.35	3.15	2.50	2.10
	50:1	36	3.95	3.75	3.15	2.65
	40:1	45	4.95	4.75	4.20	3.50
	30:1	60	6.65	6.45	5.75	5.05
	25:1	72	7.95	7.75	6.95	6.20
	20:1	90	10.05	9.80	8.80	8.05
	15:1	120	13.30	13.00	11.90	10.80
	10:1	180	20.40	20.00	18.50	17.00
3600	7.5:1	240	27.05	26.50	24.75	22.90
	5:1	360	41.00	40.25	38.50	35.70
	7.5:1	480	55.50	54.50	52.00	48.10
	5:1	720	82.30	80.80	77.00	72.00

Required Motor HP			
1/4	3/4	1-1/2	3
1/2	1	2	



WANNER ENGINEERING INC

For more information, visit our Website at: www.epmpump.com

P300 Pump Series



P300 Pump Ordering Information

A complete pump order number contains thirteen characters based on the specified pump materials listed below.

Pump Model Size (Digits 1-4)

P300 For all P300 Pumps

Pump Version (Digit 5)

N NPT ports
M Metric (BSPT) ports

Pump Head Material (Digit 6)

R 304 Stainless Steel
S 316 Stainless Steel

Diaphragm & O-ring Material (Digit 7)

G Viton®-XT
T Buna-N-XS

Check Valve Material (Digits 8-9) (Valve Spring / Valve & Seat)

SS 316 SST / 316 SST

Gearbox Ratio (Digits 10-12)

100 100:1
080 80:1
060 60:1
050 50:1
040 40:1
030 30:1
025 25:1
020 20:1
015 15:1
010 10:1
007 7.5:1
005 5:1

Base Plate (Digit 13)

C Carbon Steel (painted)
S Stainless Steel

Motors

Description Model Number

1800 RPM, 3Ø, 230 VAC, 56C TENV
1000 : 1 Turndown
1/4 HPM25TE18-3P56C
1/2 HPM50TE18-3P56C

1800 RPM, 3Ø, 230 VAC, 56C TEFC
20 : 1 Turndown
3/4 HPM75TE18-3P56C-P
1 HPM100TE18-3P56C-P
1-1/2 HPM150TE18-3P56C-P (*)

3600 RPM, 3Ø, 230 VAC, 56C TEFC
2 : 1 Turndown
1 HPM100TE36-3P56C
1-1/2 HPM150TE36-3P56C
2 HPM200TE36-3P56C
3 HPM300TE36-3P56C

(*) Available in 2:1 turndown ratio only.

Controllers

Description Model Number

115VAC 1Ø Input / 230VAC 3Ø Output
For up to 1 HPC100IP-1P3P-115

230VAC 1Ø Input / 230VAC 3Ø Output
For up to 1/2 HPC50N1-1P3P-230
For up to 1 HPC100N1-1P3P-230
For up to 2 HPC200N1-1P3P-230
For up to 3 HPC300N1-1P3P-230

230VAC 3Ø Input / 230VAC 3Ø Output
For up to 1/2 HPC50N1-3P3P-230
For up to 1 HPC100N1-3P3P-230
For up to 2 HPC200N1-3P3P-230
For up to 3 HPC300N1-3P3P-230

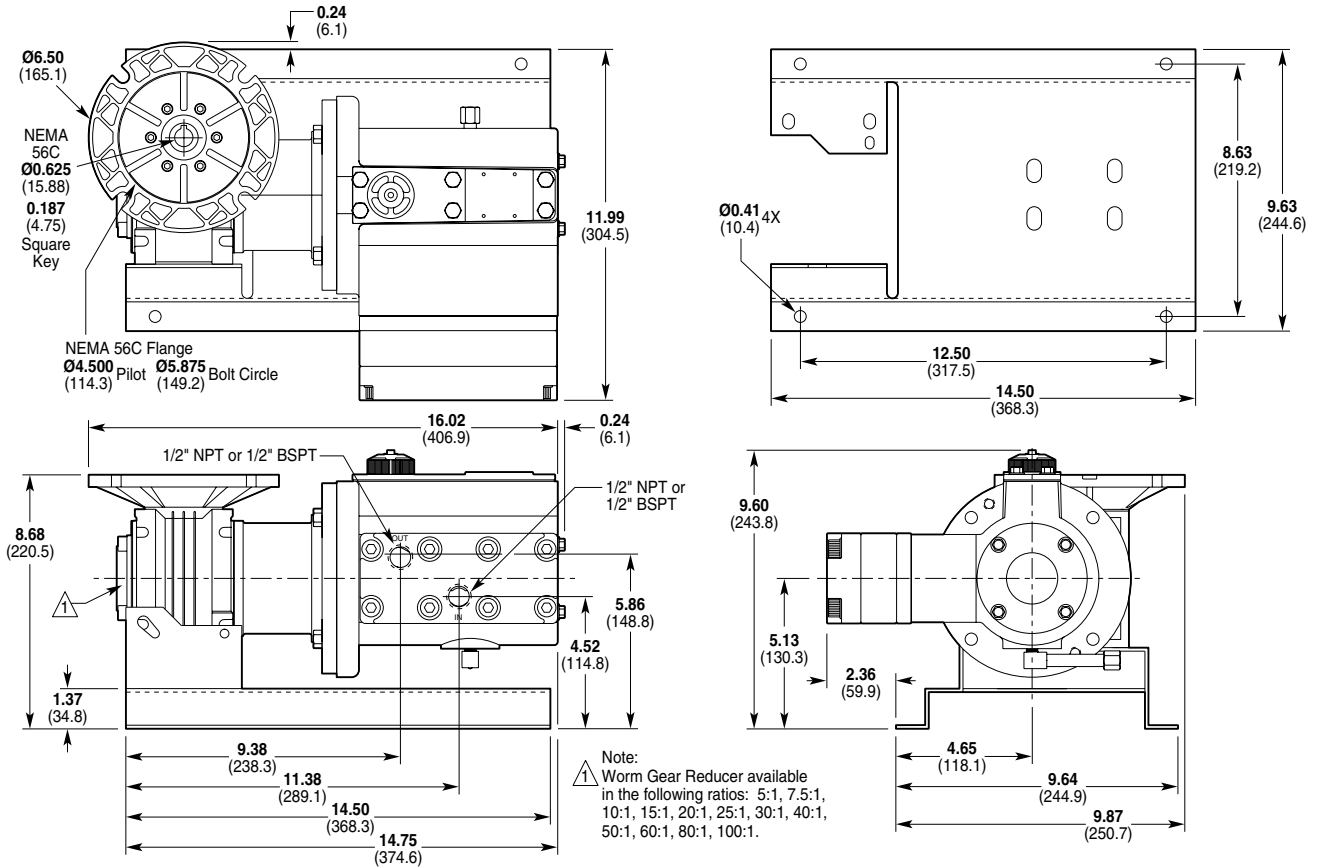
460VAC 3Ø Input / 460VAC 3Ø Output
For up to 1 HPC100N1-3P3P-460
For up to 2 HPC200N1-3P3P-460
For up to 3 HPC300N1-3P3P-460

P300 Pump Dimensions

Models with Metallic Pumping Head

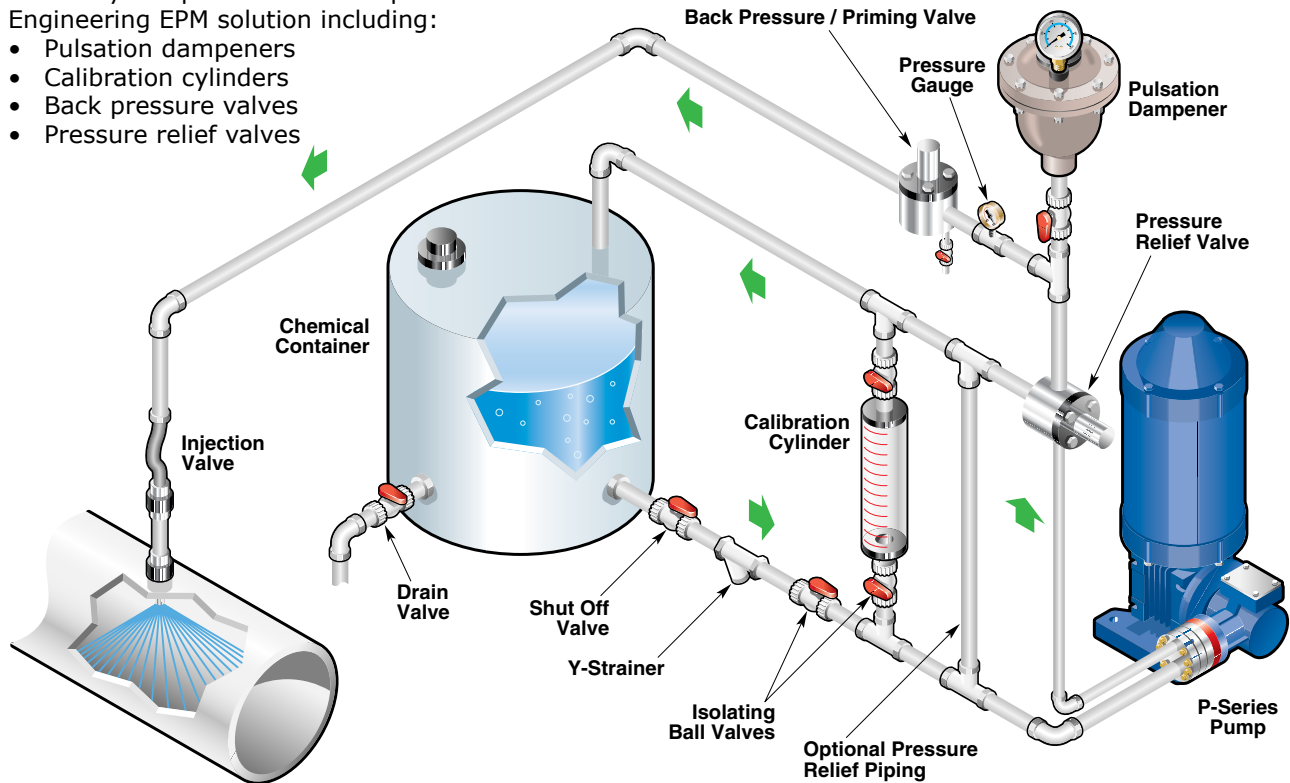
Inches
(mm)

304 Stainless Steel
316 Stainless Steel



P Series Pumps and Controls are just one of the many components of a complete Wanner Engineering EPM solution including:

- Pulsation dampeners
- Calibration cylinders
- Back pressure valves
- Pressure relief valves



Contact Your Wanner Sales Representative or visit our website at www.epmpump.com for complete information on our other EPM solution products...

Pulsation Dampeners



Calibration Cylinders



Pressure Relief and Back Pressure Valves



 **Wanner Engineering, Inc.**
 1204 Chestnut Avenue, Minneapolis, MN 55403 USA
 (612) 332-5681 FAX (612) 332-6937
 Toll Free FAX (USA only) (800) 332-6812
 Email: sales@wannereng.com
 Website: www.epmpump.com

 **Wanner International Ltd.**
 Units 8 & 9, Fleet Business Park
 Sandy Lane
 Church Crookham, Hampshire GU52 8BF, England
 Tel +(44) 01252 816847
 FAX Tel +(44) 01252 629242
 Email: sales@wannerint.com